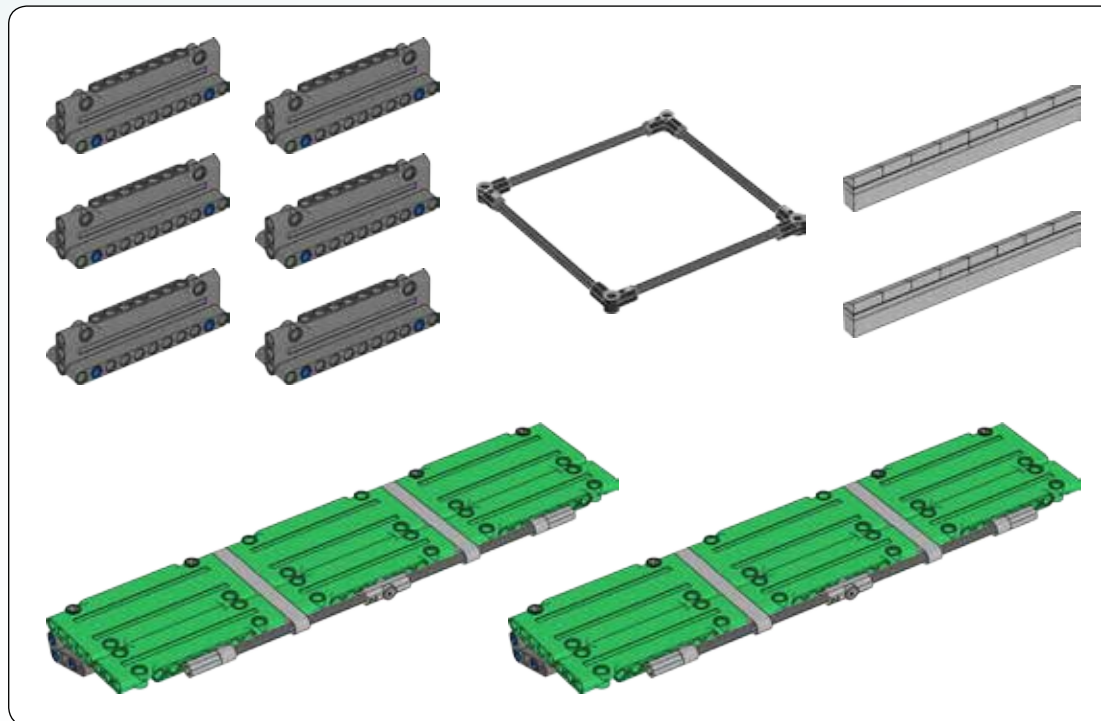
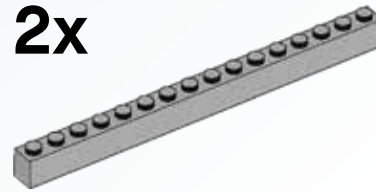
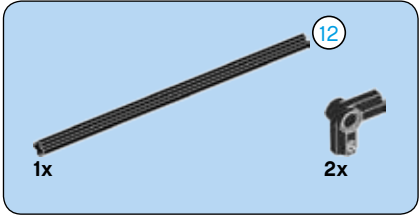
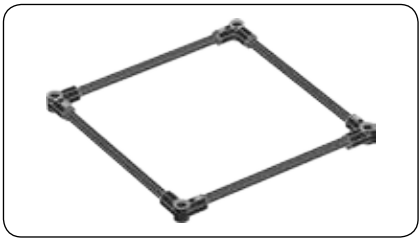


3x

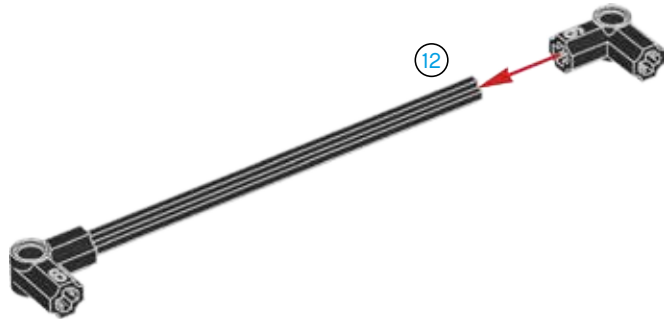


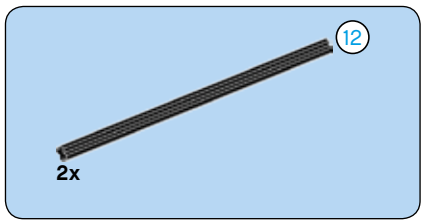
+ 2x





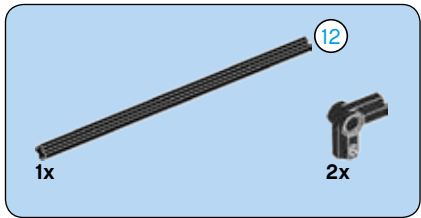
1



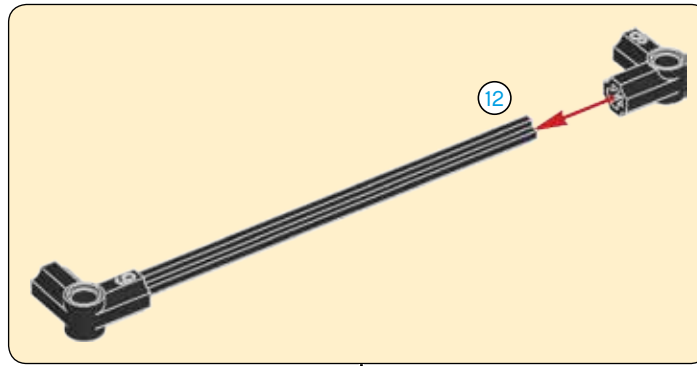


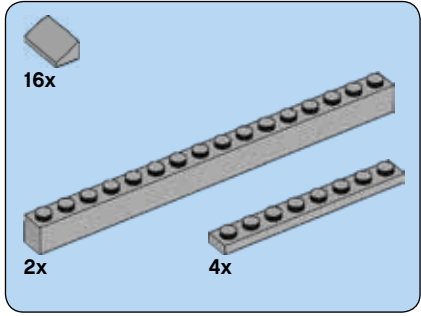
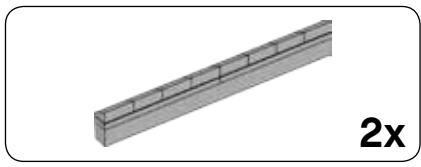
2





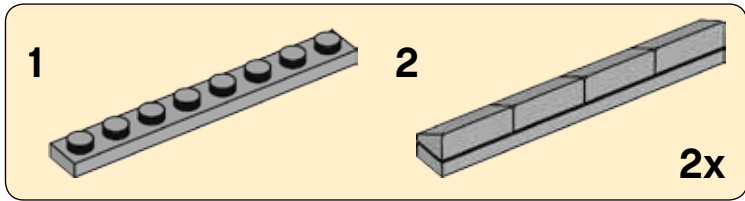
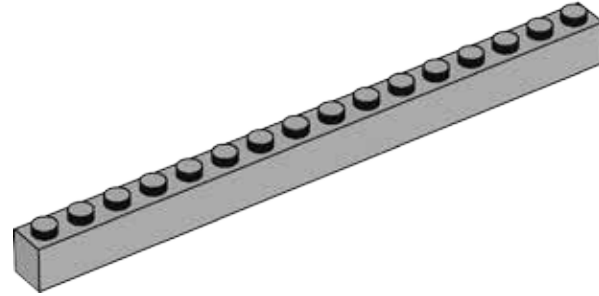
3



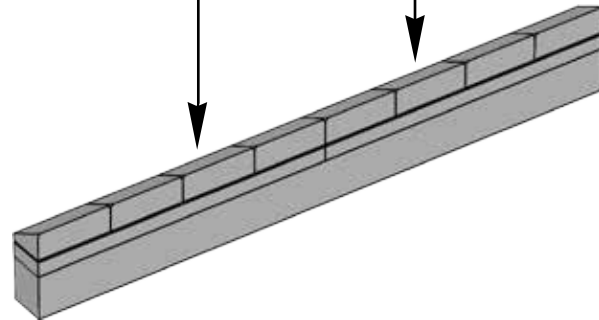


1

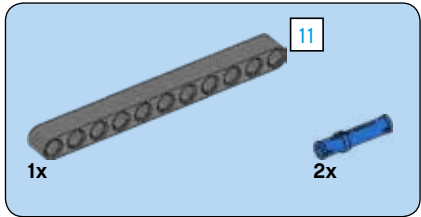
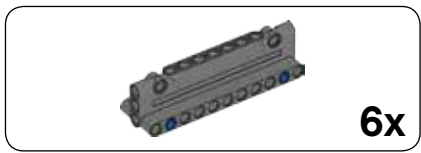
1



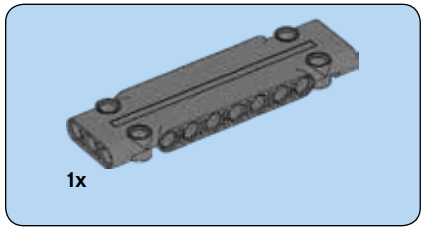
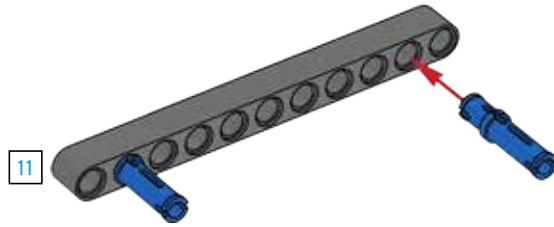
2



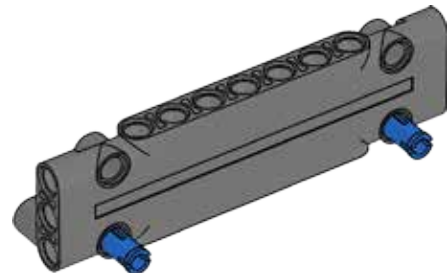
2x

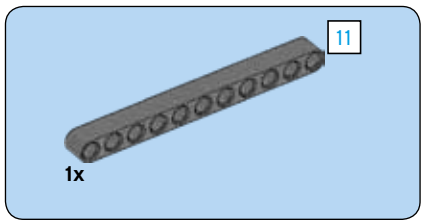


1

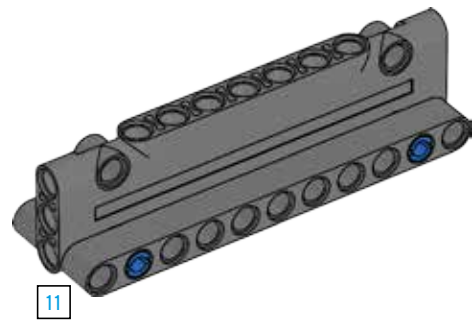


2

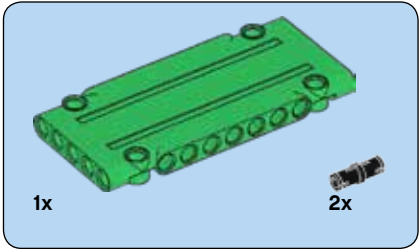
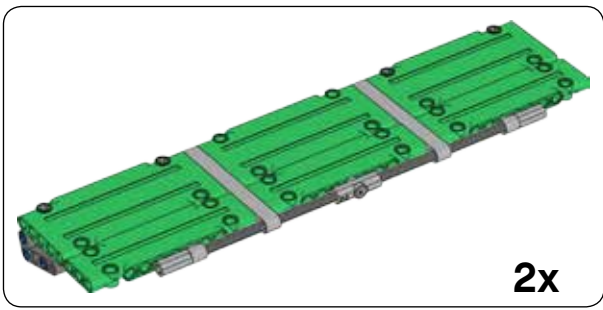




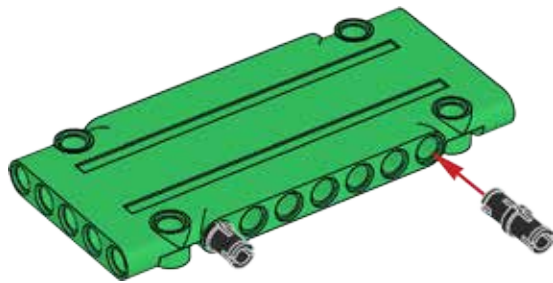
3

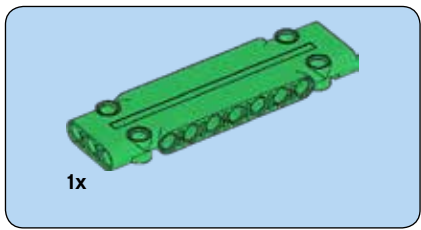


6x

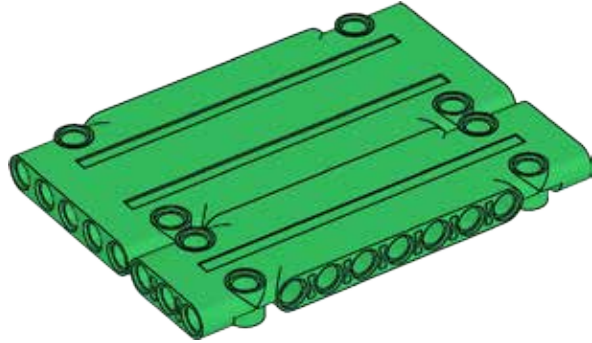


1

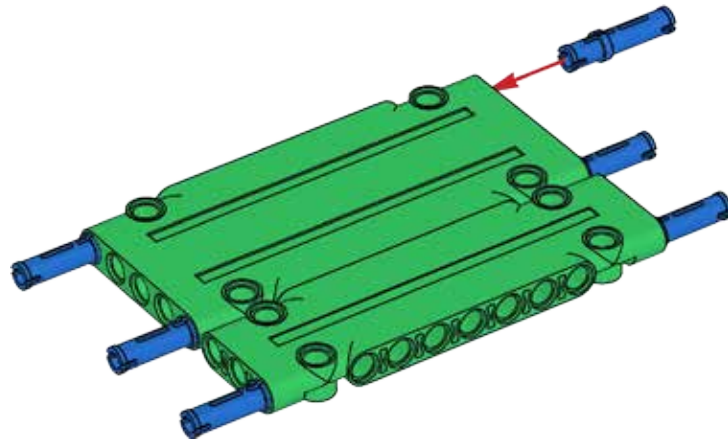


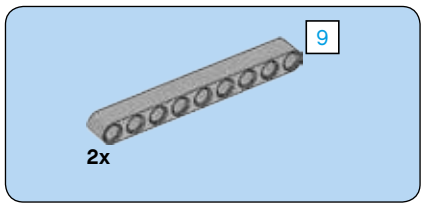


2

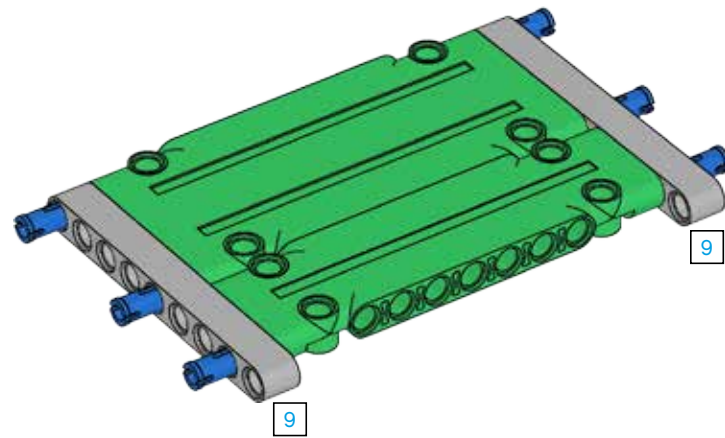


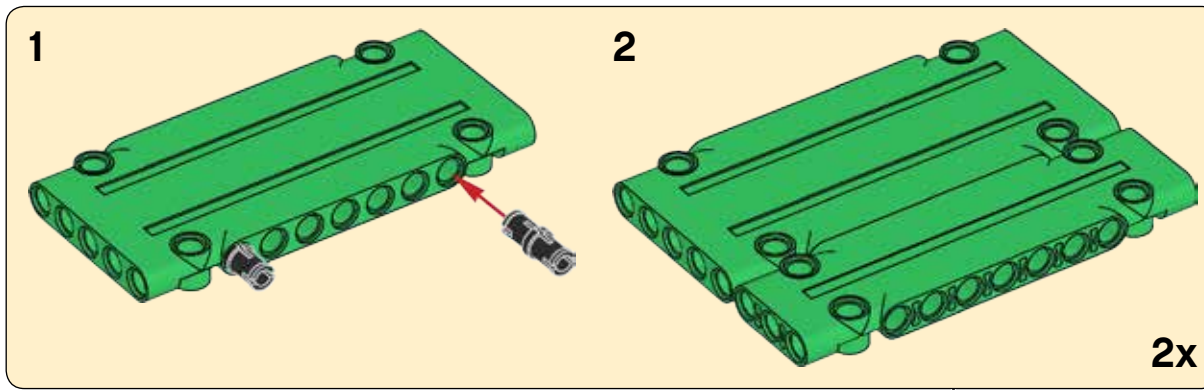
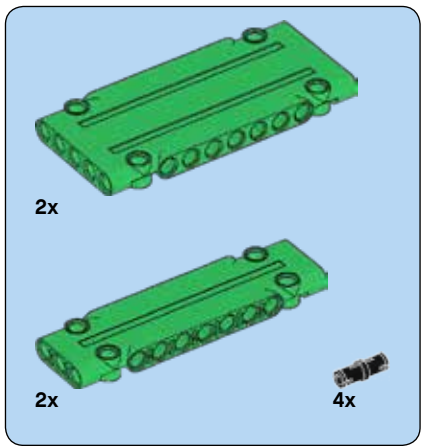
3



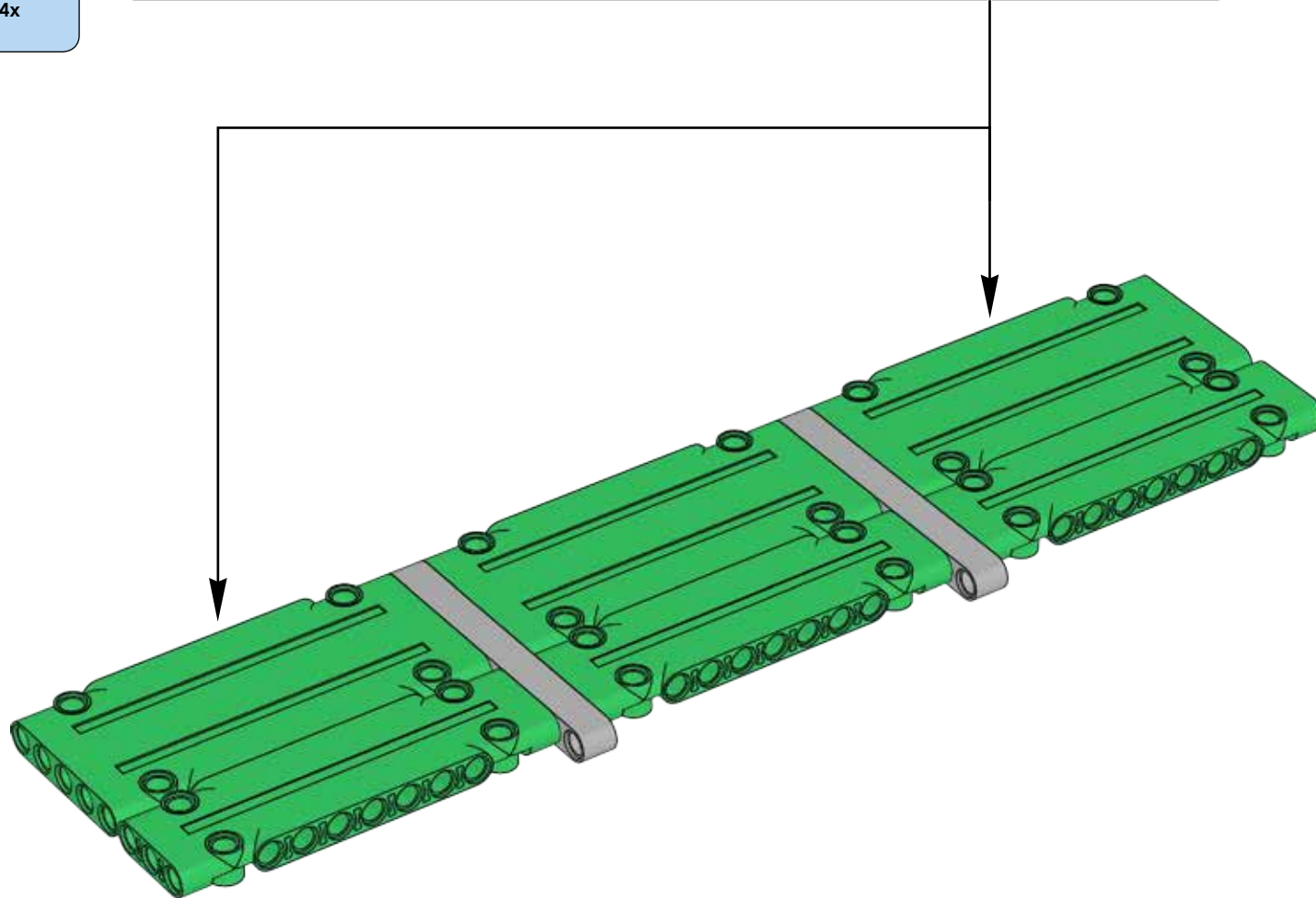


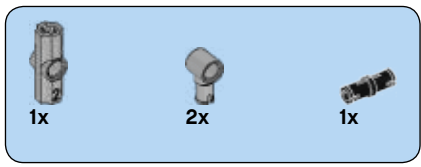
4



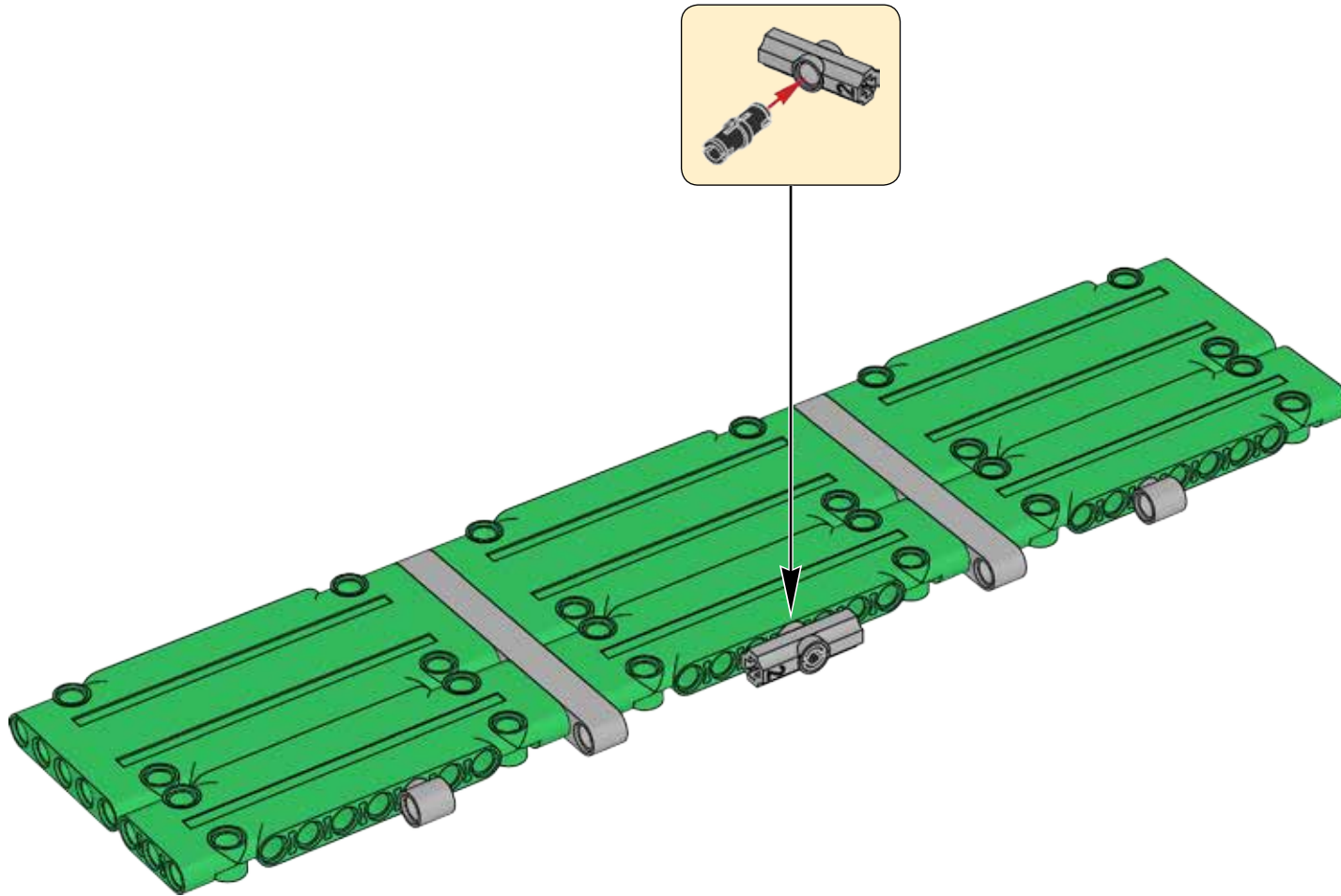


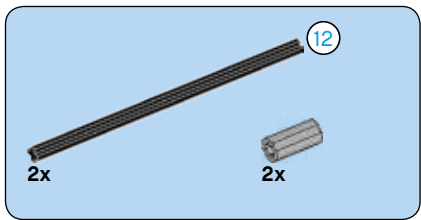
5



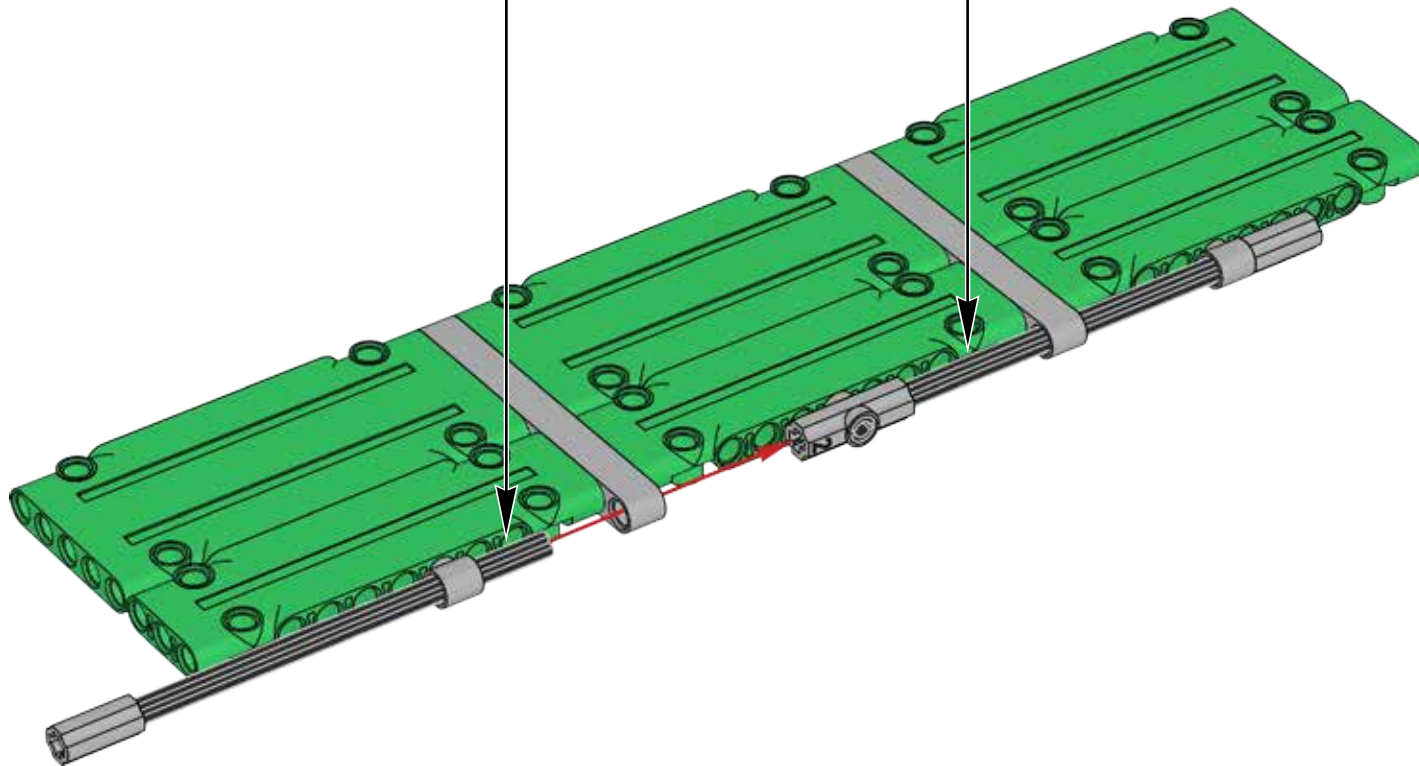
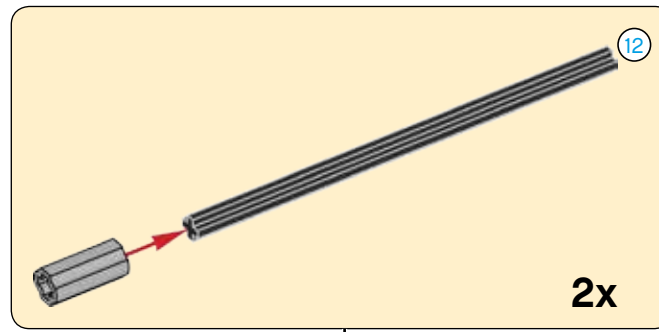


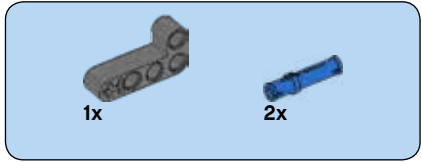
6



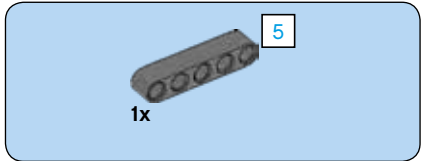
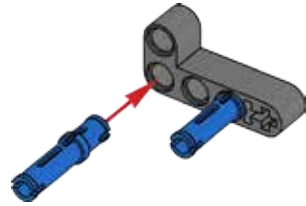


7

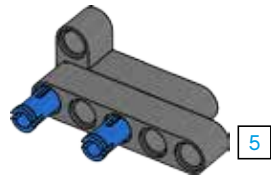


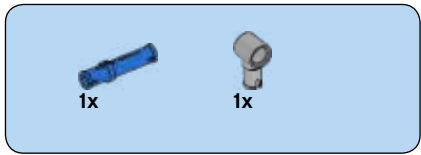


8

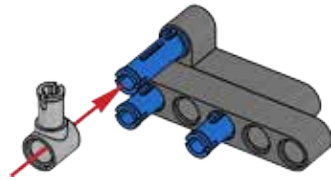


9





10

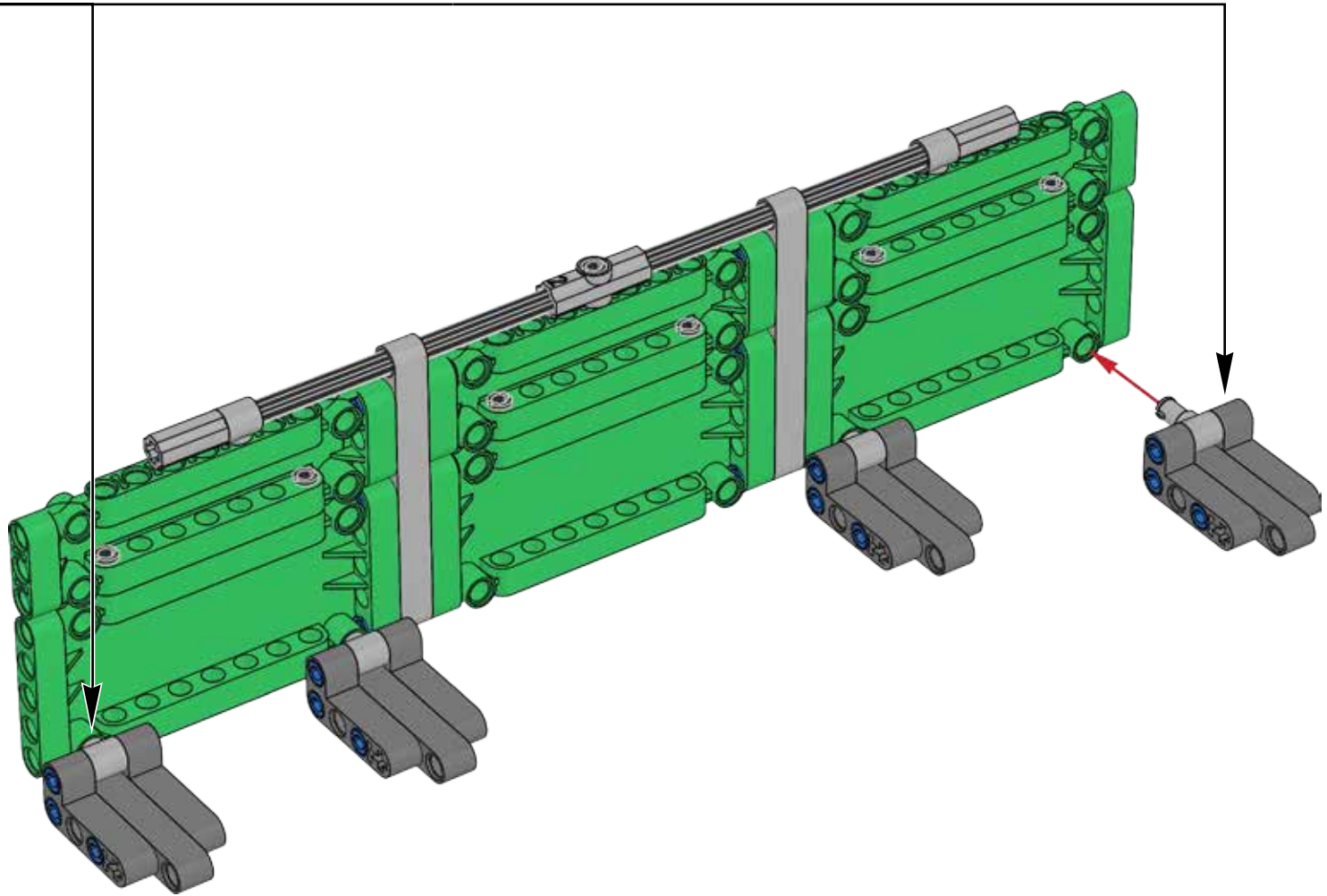


11

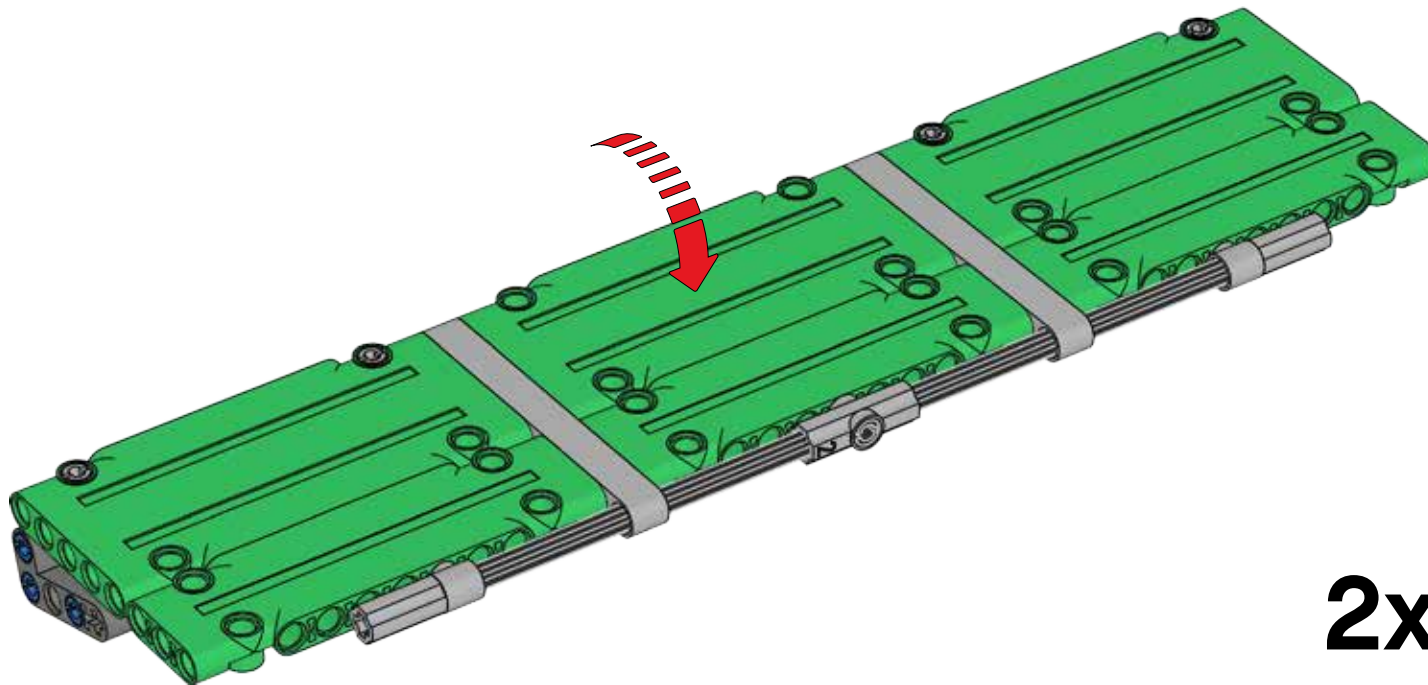


4x

12



13



2x

8

LEGO and the LEGO logo are trademarks of the/sont des marques de commerce du/son marcas registradas de LEGO Group. ©2017 The LEGO Group.

FIRST® and the FIRST® logo are trademarks of For Inspiration and Recognition of Science and Technology (FIRST®). FIRST® LEGO® League (formerly also known as FLL®), are jointly held trademarks of FIRST® and the LEGO Group.